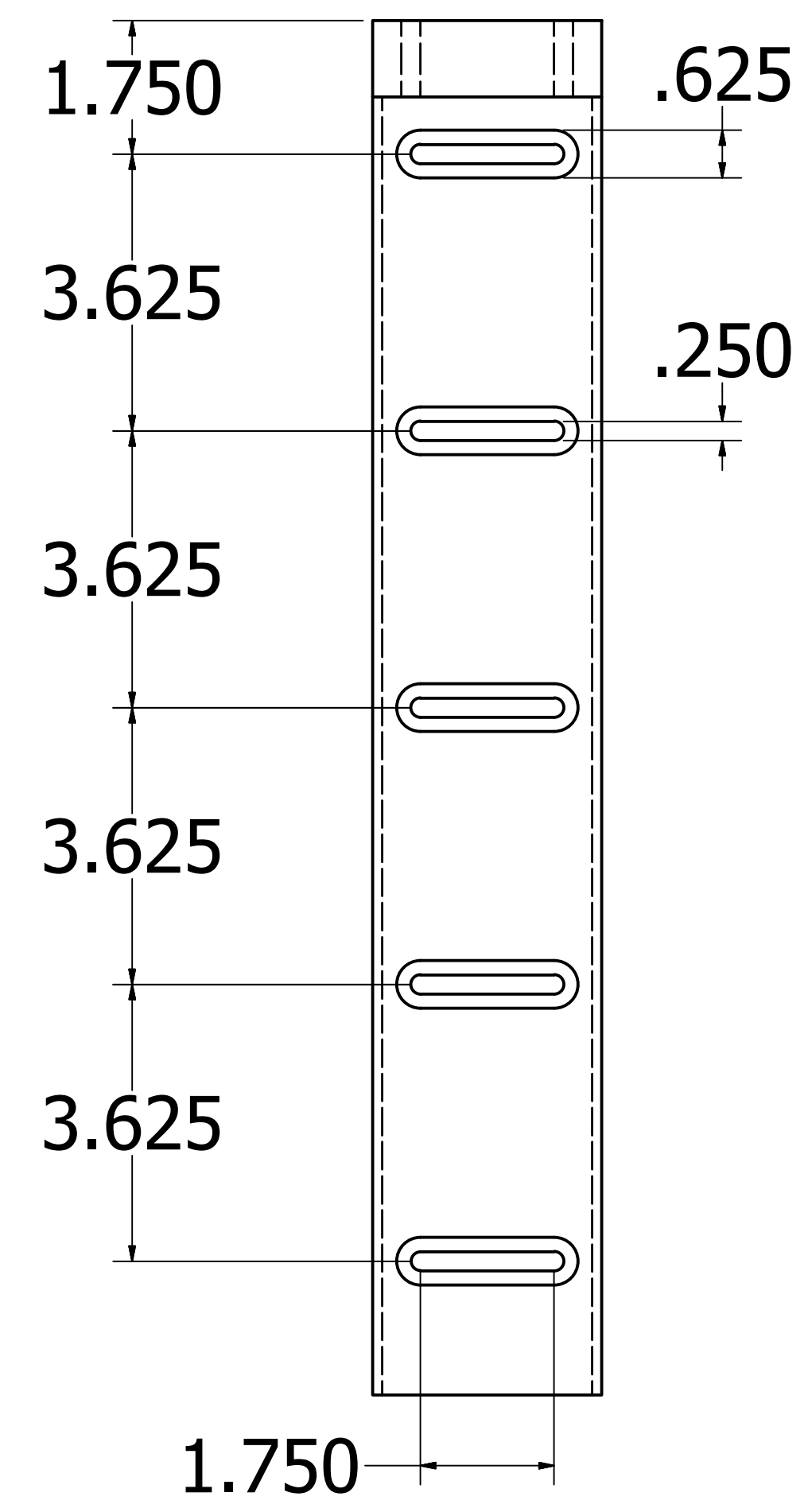
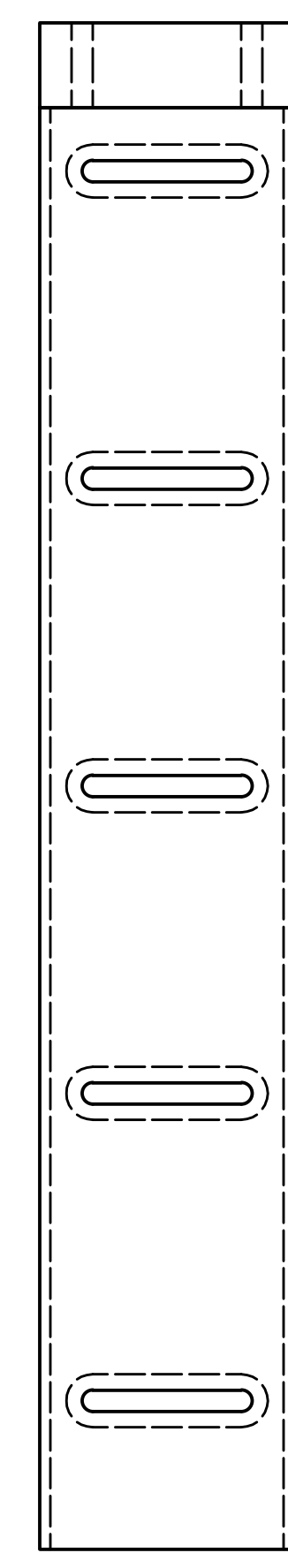
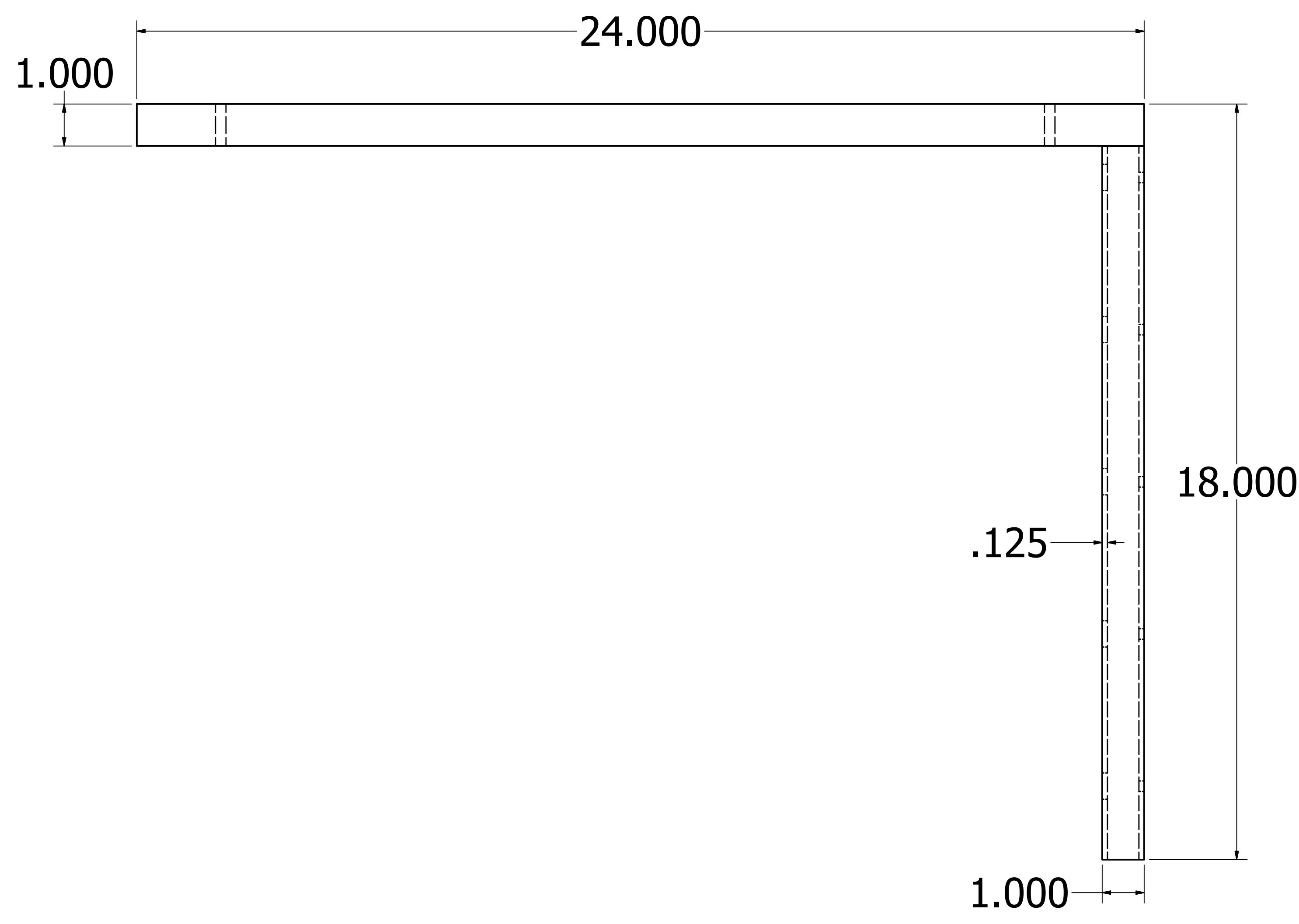
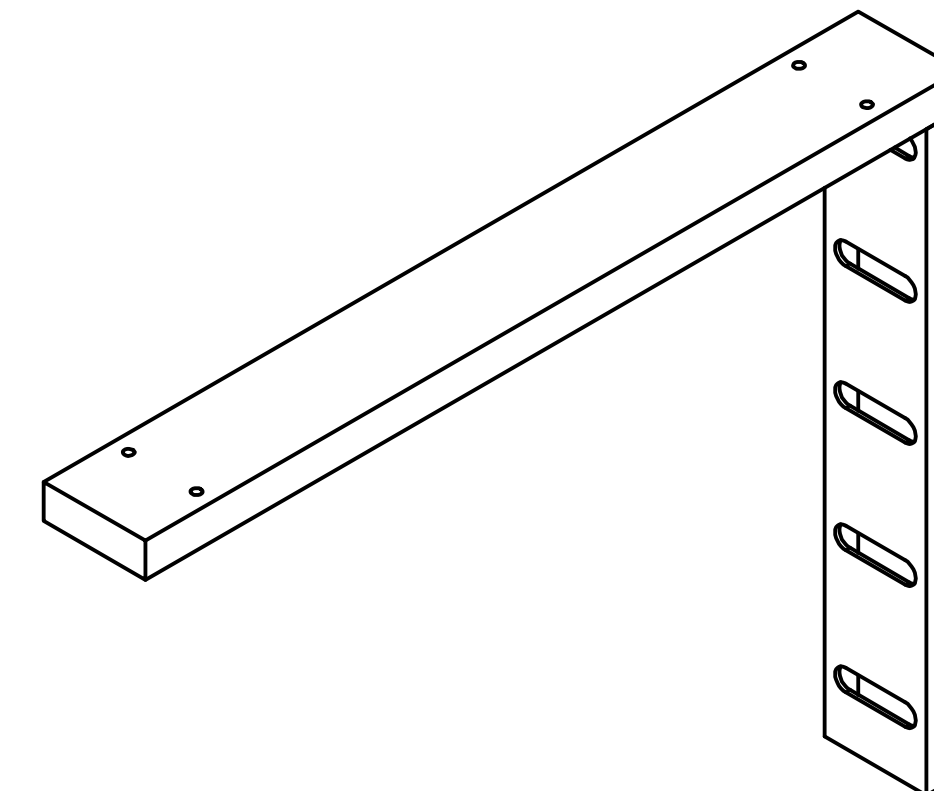
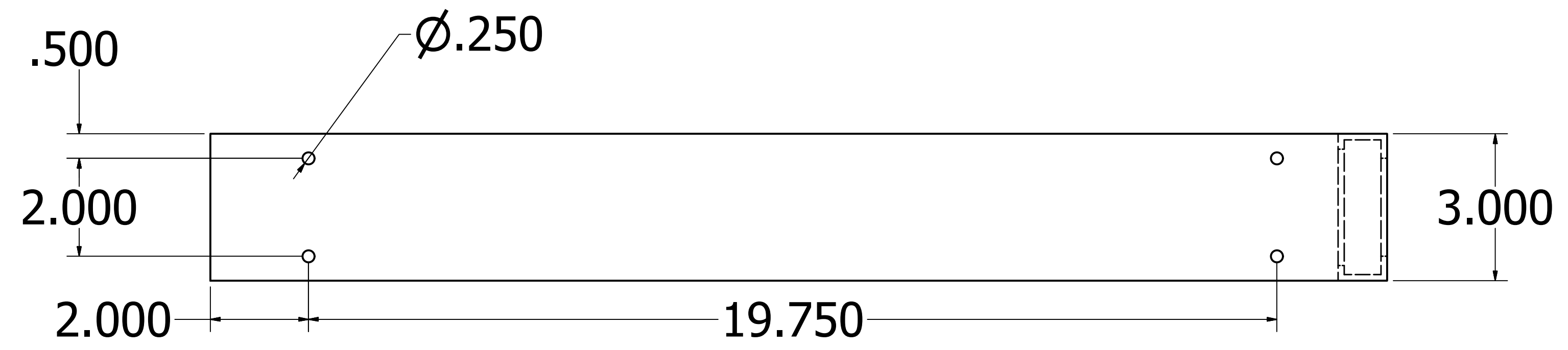


8 7 6 5 4 3 2 1



D
C
B
A

D
C
B
A

DRAWN	SAR	10/16/2017	TITLE		
CHECKED			24x18-FLAT		
QA			SIZE	DWG NO	REV
MFG			D	24x18-FLAT	
APPROVED			SCALE	1/2	SHEET 1 OF 1

8 7 6 5 4 3 2 1