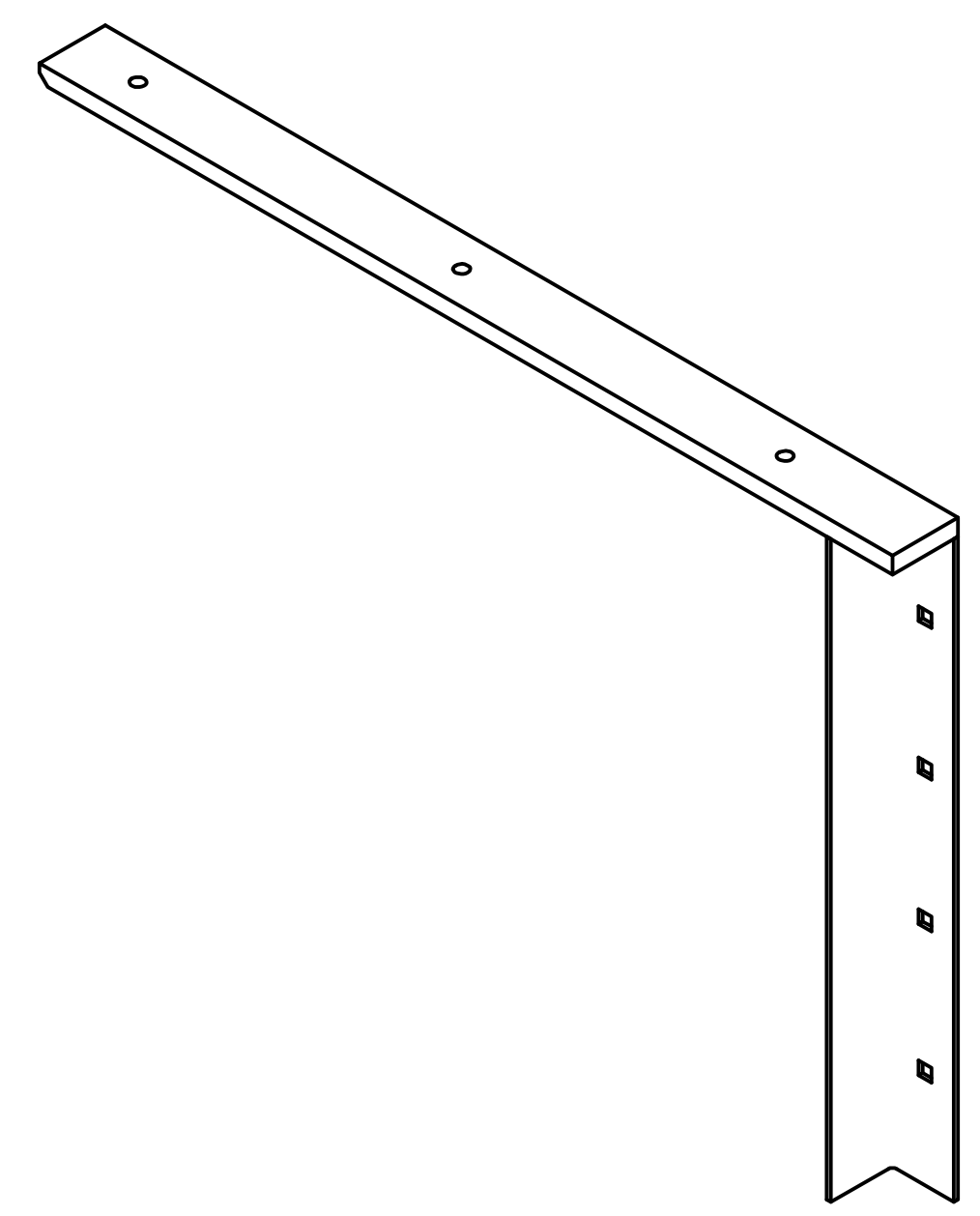
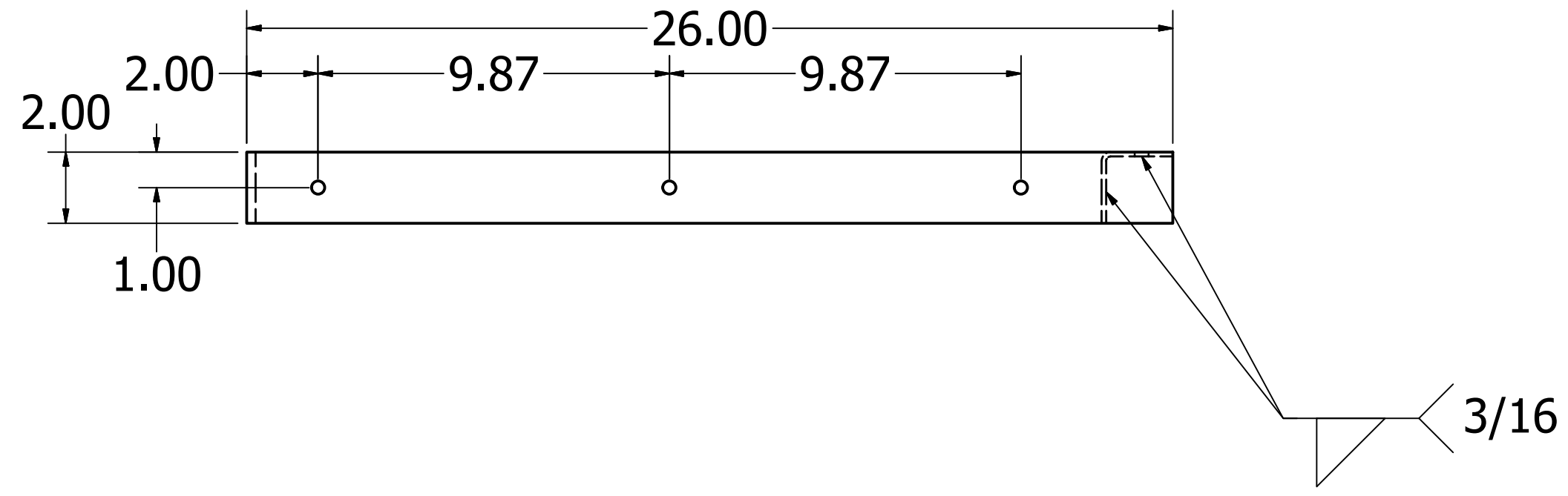


4 3 2 1

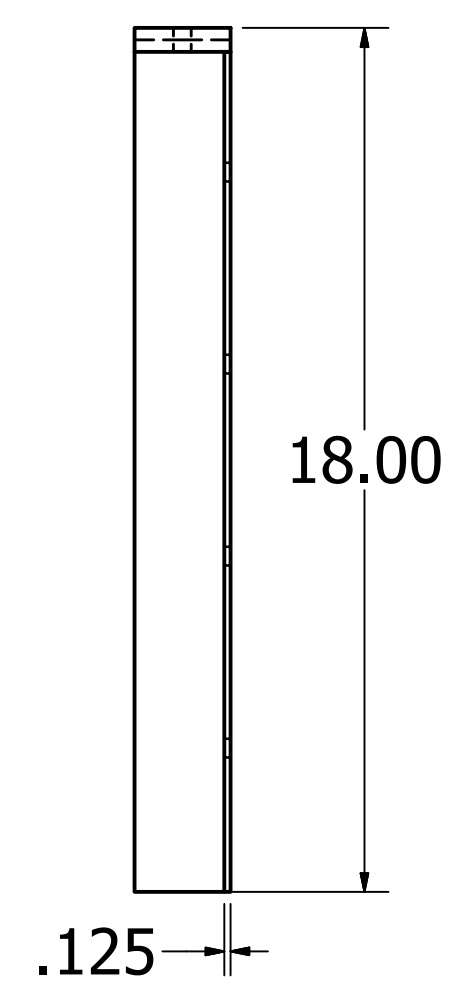
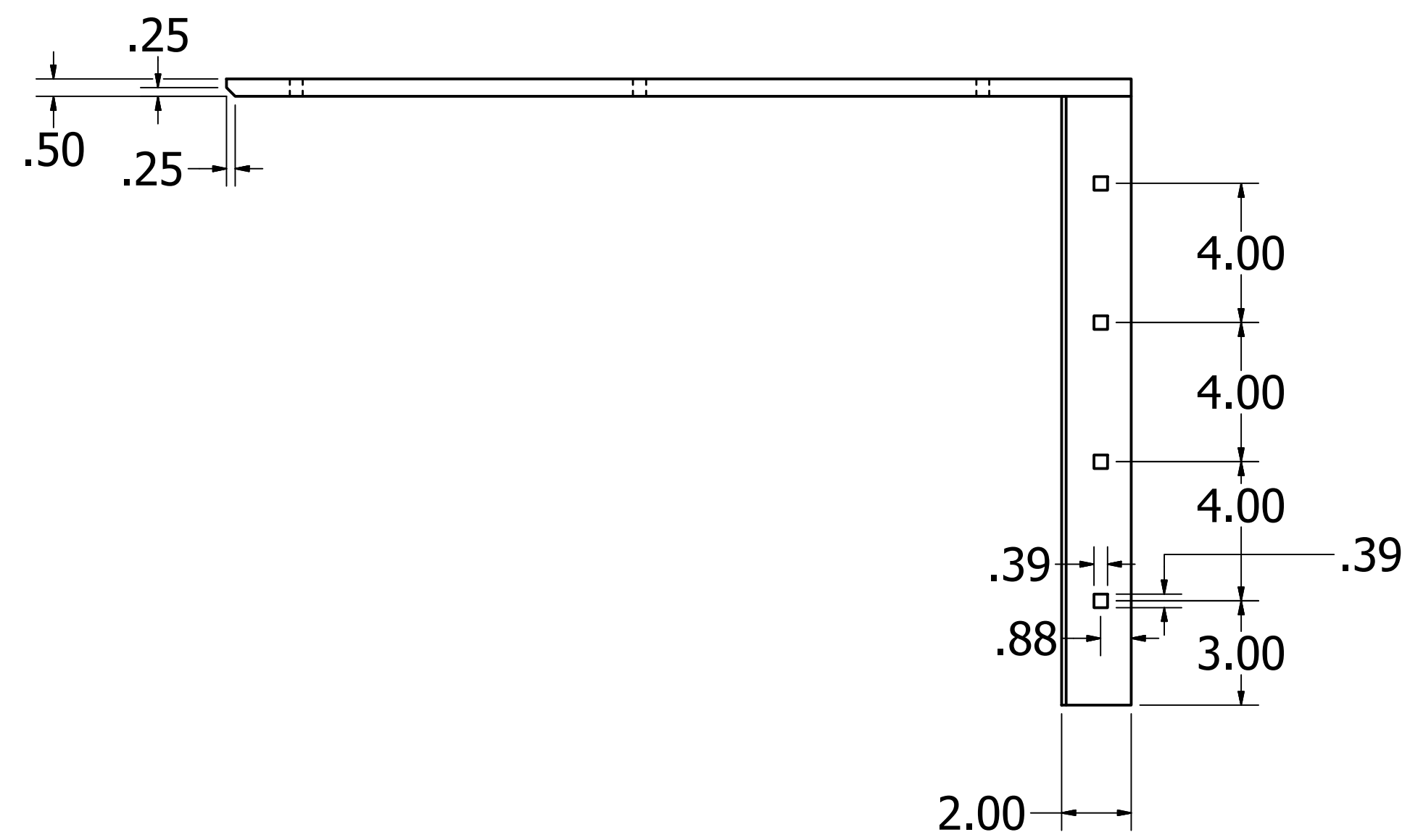
D

D



C

C



B

B

A

A

DRAWN	SAR	2/9/16	TITLE	
CHECKED			C-24" CONCEALED BRACKET FLAT	
QA			SIZE	DWG NO
MFG			C	C FLAT 24 (2.0)
APPROVED			SCALE	REV
			SHEET	1 OF 1

4 3 2 1