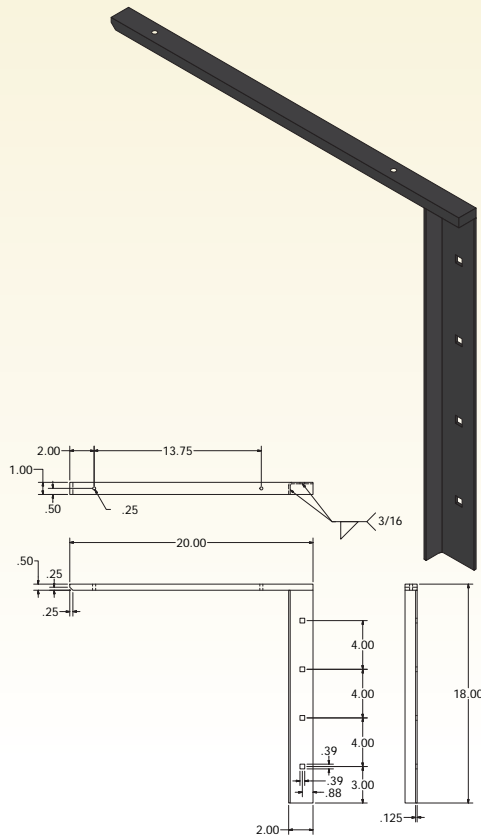
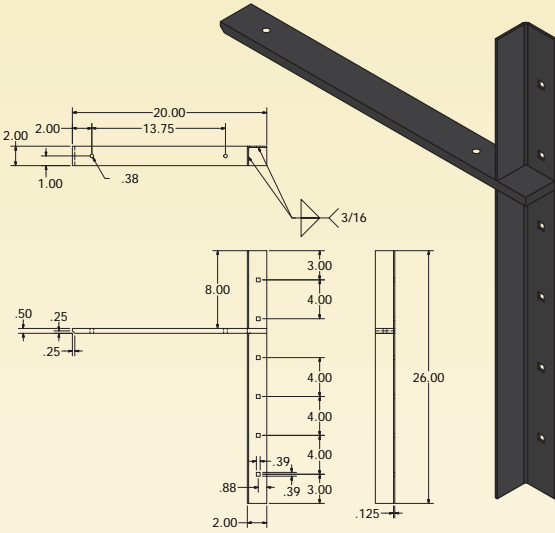




C/EC Flat Concealed Brackets



- CFLAT and ECFLAT Brackets available in 2.0" or 1.0" versions
- Available with 9", 12", 18" and 24" (2.0" only) support arms
- Available with upper extension (EC) and without upper extension (C)
- Upper extension (above the support arm) provides superior strength
- Load limit range of 1100 lbs to 4900 lbs per pair
- Mounting hardware included
- 3/8" - 16 x 3" bolt assemblies for 2.0 Brackets
- 1/4" - 16 x 3" bolt assemblies for 1.0 Brackets
- All welds on reverse for easy, clean install
- All brackets available in black and white powdercoat
- All sizes packaged 2 pcs per box
- Half Inch horizontal support arm can be completely concealed
- Recommend backing when used with metal studs

2.0" C Flat and EC Flat Brackets - 9" to 24" Support Arm Mounting Hardware Included - (3/8" - 16 x 3" carriage bolt assemblies)

Bracket Size	2 - 58 per bracket	60+ per bracket	Pcs/Wgt/Box*	Bracket Size	2 - 58 per bracket	60+ per bracket	Pcs/Wgt/Box*
CFLAT9(2.0)	\$22.65	\$21.10	2 pcs/11 lbs.	ECFLAT9(2.0)	\$24.95	\$23.25	2 pcs/14 lbs.
CFLAT12(2.0)	\$24.30	\$22.60	2 pcs/12 lbs.	ECFLAT12(2.0)	\$26.60	\$24.75	2 pcs/16 lbs.
CFLAT18(2.0)	\$30.25	\$28.15	2 pcs/18 lbs.	ECFLAT18(2.0)	\$32.65	\$30.40	2 pcs/22 lbs.
CFLAT24(2.0)	\$33.00	\$30.70	2 pcs/22 lbs.	ECFLAT24(2.0)	\$36.35	\$33.85	2 pcs/24 lbs.

1.0" C Flat and EC Flat Brackets - 9" to 18" Support Arm Mounting Hardware Included - (1/4" - 16 x 3" carriage bolt assemblies)

Bracket Size	2 - 58 per bracket	60+ per bracket	Pcs/Wgt/Box*	Bracket Size	2 - 58 per bracket	60+ per bracket	Pcs/Wgt/Box*
CFLAT9(1.0)	\$16.75	\$15.60	2 pcs/7 lbs.	ECFLAT9(1.0)	\$20.35	\$18.95	2 pcs/9 lbs.
CFLAT12(1.0)	\$18.25	\$17.00	2 pcs/8 lbs.	ECFLAT12(1.0)	\$22.00	\$20.50	2 pcs/10 lbs.
CFLAT18(1.0)	\$23.00	\$21.40	2 pcs/11 lbs.	ECFLAT18(1.0)	\$26.65	\$24.80	2 pcs/13 lbs.

Formica color matches:

- Black 909-58
- White 933-58

A&M HARDWARE, INC.

Call To Order (888) 647-0200

1165 Strickler Road, Mount Joy, PA 17552 | Fax: (717) 653-5874

www.AandMhardware.com